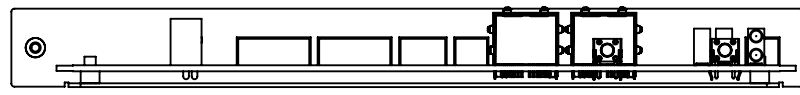
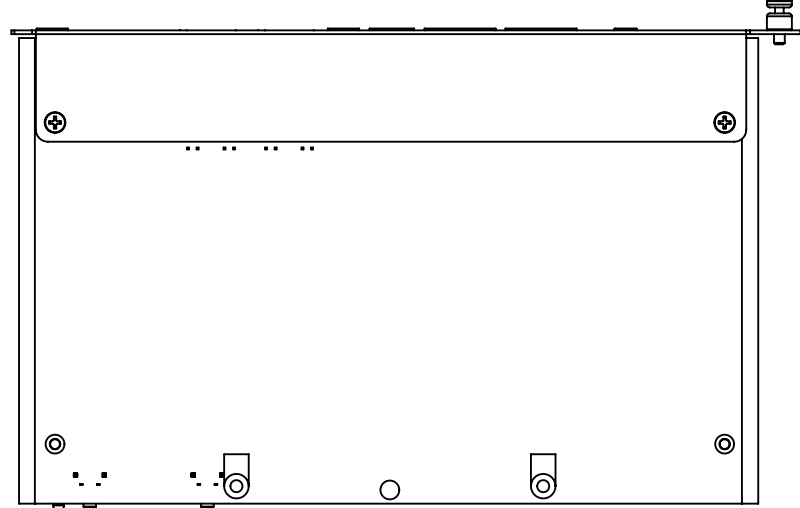
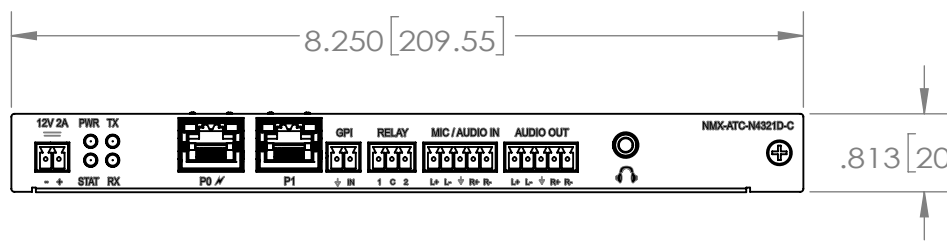
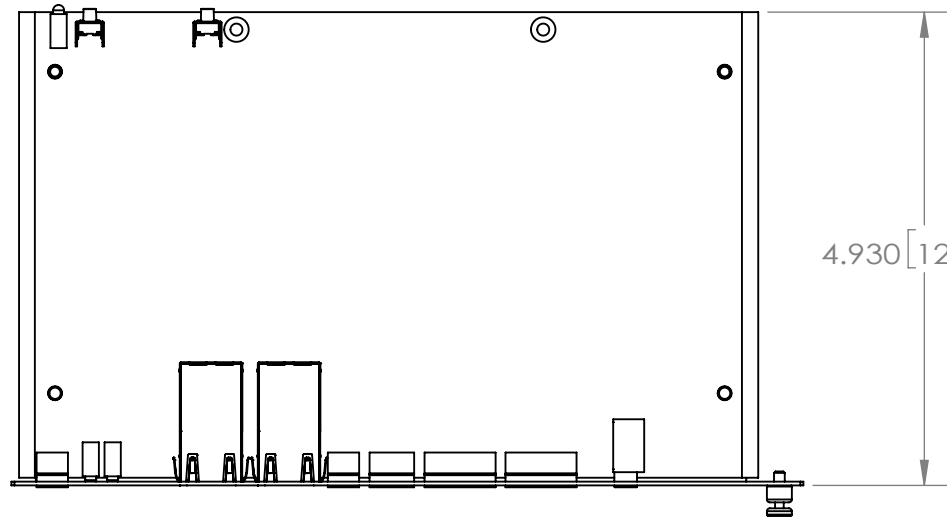
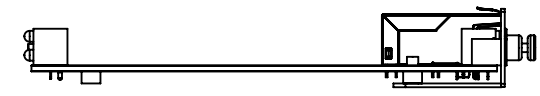
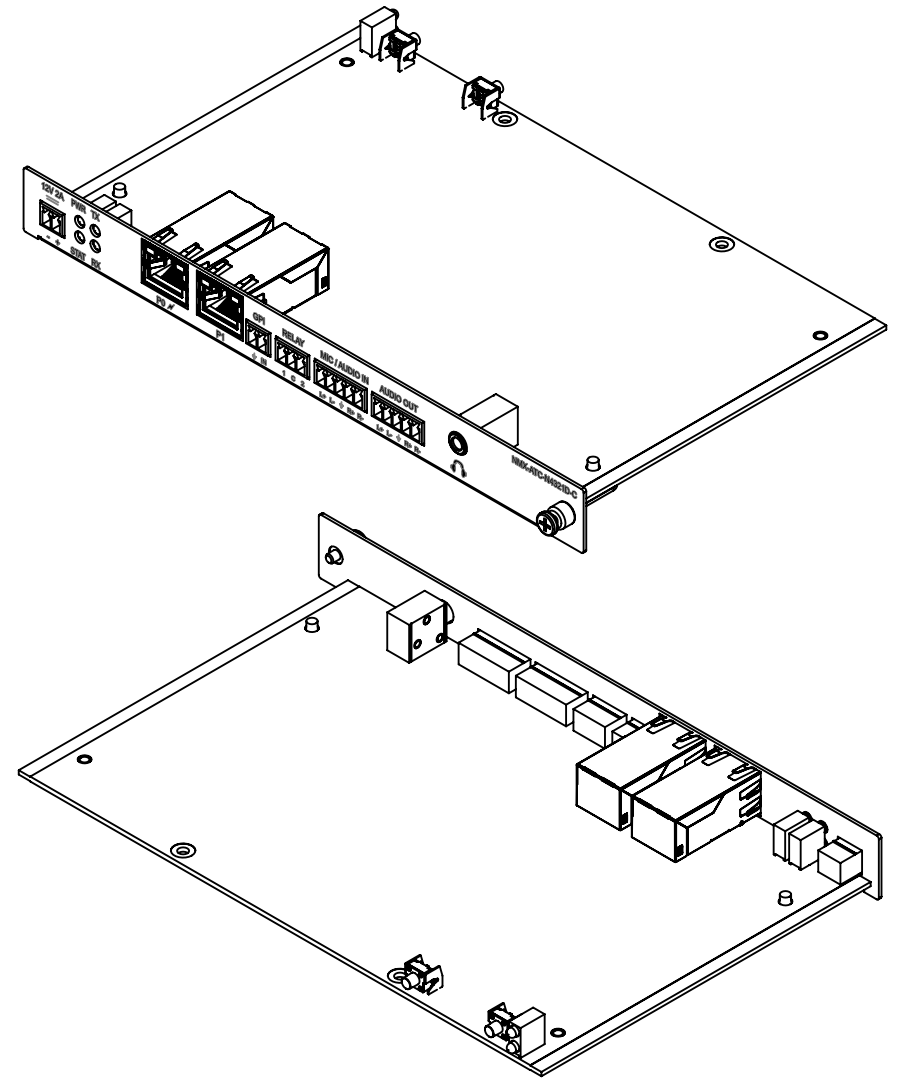


REVISION HISTORY			
DATE	REV.	DESCRIPTION	BY



FRONT VIEW



NOTES:
 1. Unit: inch [mm]
 2. Detailed dimensions refer to DWG/DXF files.

2023 © HARMAN INTERNATIONAL INDUSTRIES, INCORPORATED. ALL RIGHTS RESERVED. DO NOT USE, DISCLOSE, SELL, REPRODUCE, PUBLISH OR MODIFY WITHOUT AUTHORIZED WRITTEN HARMAN PERMISSION.
ROHS
 RESTRICTION OF HAZARDOUS SUBSTANCES ALL MATERIALS USED IN THIS PART MUST BE ROHS COMPLIANT. SUPPLIER SHALL PROVIDE A CERTIFICATE OF ROHS COMPLIANCE WITH THE FIRST ARTICLE.

THIRD ANGLE PROJECTION
 DRAWN BY: PXiong
 DESIGNED BY:
 PROJECT MANAGER/ENGINEER
 DATE: 2023/1/31
 DATE:
 DIMENSIONS SHOWN ARE FOR REFERENCE AND INSPECTION ONLY. REFER TO CAD MODEL PROVIDED WITH THIS DRAWING FOR OVERALL DEFINITION OF PART GEOMETRY.

DATE: 2023/1/31
 DATE:
 PROJECT MANAGER/ENGINEER

HARMAN
 TITLE: DWG, PICTORIAL, NMX-ATC-N4321D-C
 NO. AMX-N43T001C REV A
 SIZE B SCALE 1:2 DO NOT SCALE DRAWING SHEET 1 OF 1